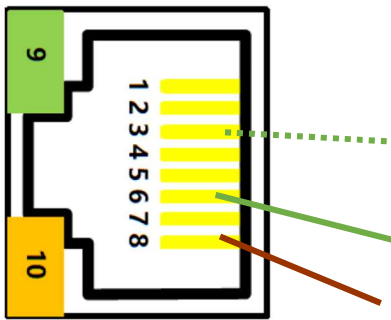


## Le câble RJ45 :

### 1) Port RJ45 « CONSOLE » de la PYLONTECH US2000C :



Prise RJ45 câblée en T568B		
couleur	broche	
	blanc-orange	1
	orange	2
	blanc-vert	3
	bleu	4
	blanc-bleu	5
	vert	6
	blanc-marron	7
	marron	8

#### Console

Pour le fabricant ou un ingénieur professionnel pour le débogage ou la maintenance.

Pin3	232-TX
Pin4*	+5~+12V pour le réveil
Pin5*	GND pour le réveil
Pin6	232-RX
Pin8	232-GND

### 2) Côté EE10 :

Pin	Description	Net Name	Signal Type	Comment
1	Ethernet TX+	TX+	O	Connect to Standard Ethernet RJ45 PIN1
2	Ethernet TX-	TX-	O	Connect to Standard Ethernet RJ45 PIN2
3	Ethernet RX+	RX+	I	Connect to Standard Ethernet RJ45 PIN3
4	Ethernet RX-	RX-	I	Connect to Standard Ethernet RJ45 PIN6
5	UART1_TXD	UART1_TXD	O	RS232 Voltage
6	UART1_RXD	UART1_RXD	I	RS232 Voltage
7	Power VCC	VCC	Power	5~18VDC
8	Power GND	GND	Power	
9	<b>Green LED</b> Net Status	Net	O	Boot On: Power is OK. 0.3s Off -> 3s On: Ethernet connection is OK. 0.3s Off -> 0.3s On: No Ethernet connection.
10	<b>Amber LED</b> Data Transfer	Active	O	Off: No data transfer 0.3s Off -> 0.9s On: UART TX Output 0.3s Off -> 0.3s On: UART RX Receive On: UART bidirection.

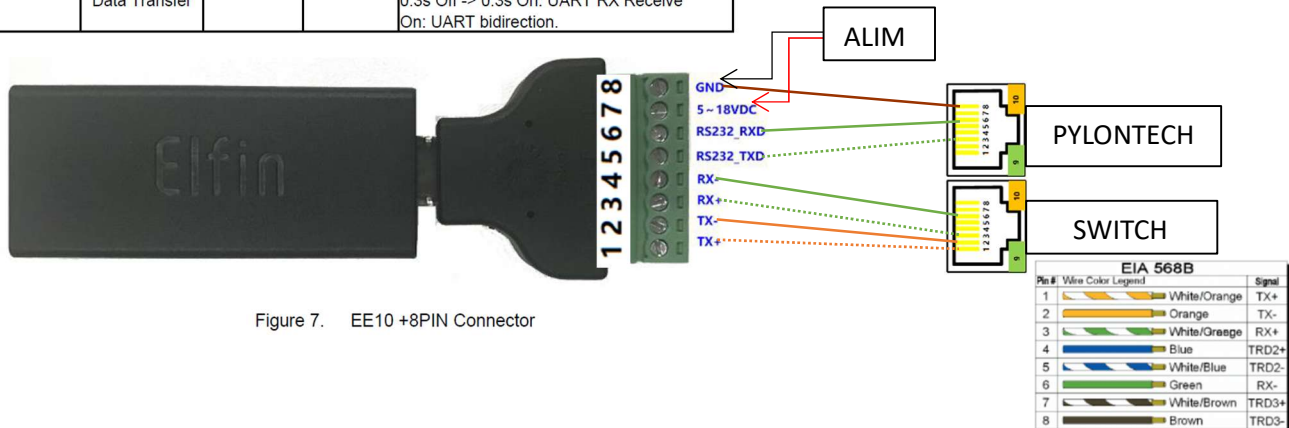


Figure 7. EE10 +8PIN Connector

## La configuration du EE10 :

The screenshot shows the 'Serial Port Settings' page for device EE10. The left sidebar contains navigation options: STATUS, SYSTEM SETTINGS, SERIAL PORT SETTINGS (selected), COMMUNICATION SETTINGS, ADVANCED SETTINGS, and OTHERS. The main content area is titled 'Serial Port Settings' with the subtitle 'change the device serial port settings'. It is divided into five sections: Basic Settings (Baud Rate: 115200, Data Bit: 8, Stop Bit: 1, Parity: None), Buffer Settings (Buffer Size: 2048, Gap Time: 50), Flow Control Settings (Flow Control: Disable), CLI Settings (Cli: Serial String, Serial String: +++, Waiting Time: 300), and Protocol Settings (Protocol: None).

Adresse IP par défaut du EE10 = 192.168.1.xxx (via DHCP du LAN Maison)

The screenshot shows the 'Communication Settings' page for device EE10. The left sidebar contains navigation options: STATUS, SYSTEM SETTINGS, SERIAL PORT SETTINGS, COMMUNICATION SETTINGS (selected), ADVANCED SETTINGS, and OTHERS. The main content area is titled 'Communication Settings' with the subtitle 'change the device socket settings'. It is divided into four sections: Basic Settings (Name: TCP-server, Protocol: Tcp Server), Socket Settings (Local Port: 7774, Buffer Size: 2048, Keep Alive(s): 60, Timeout(s): 0), Protocol Settings (Max Accept: 3), and More Settings (Security: Disable, Route: Uart). At the bottom, there are three buttons: Submit, Delete, and Reset.